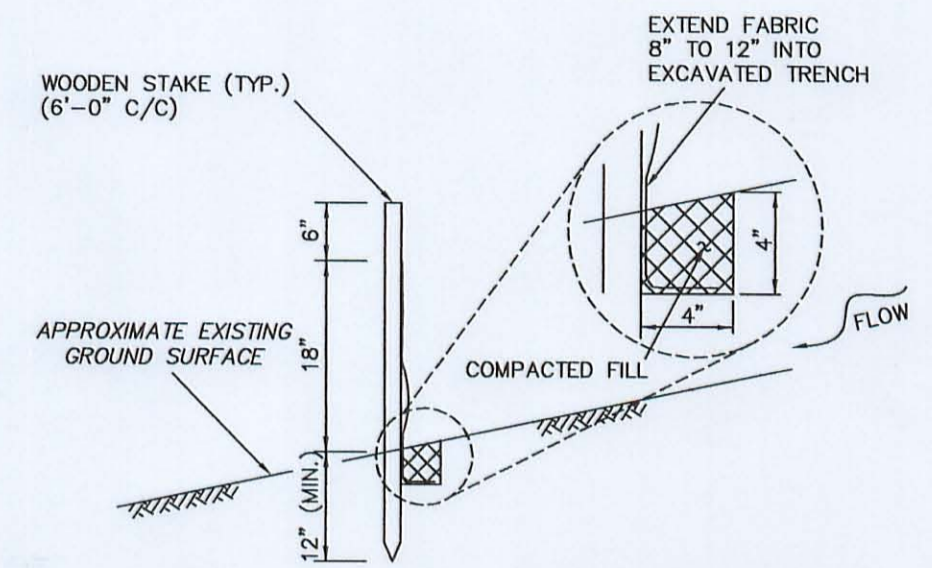


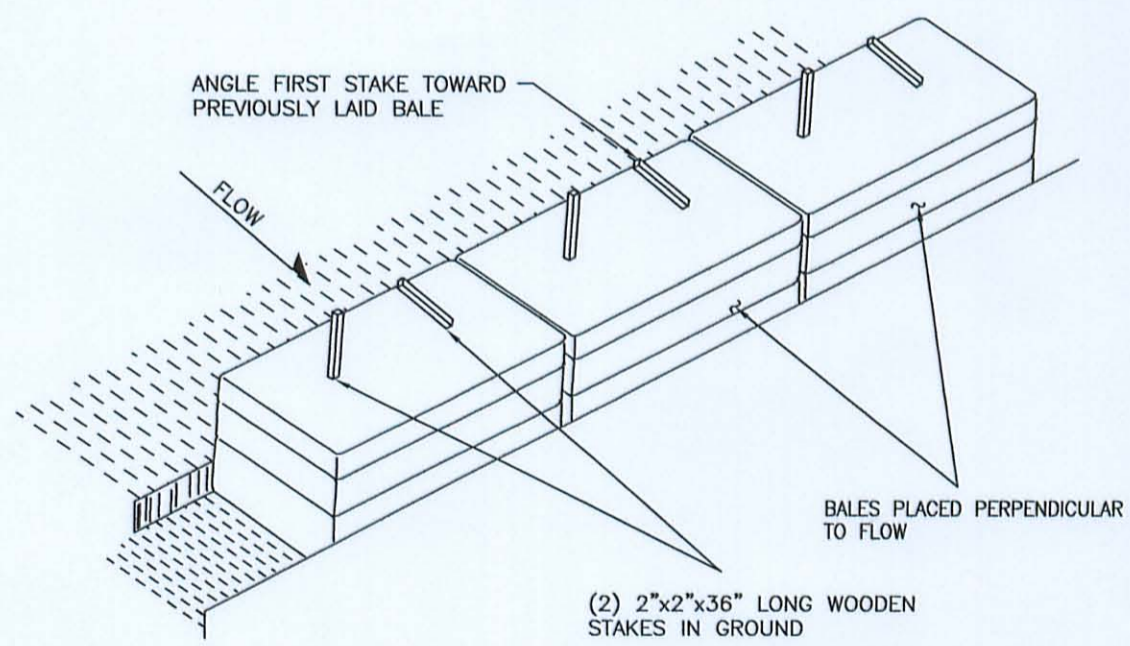
BACK VIEW
NOT TO SCALE

TYPICAL SILT FENCE INSTALLATION DETAIL

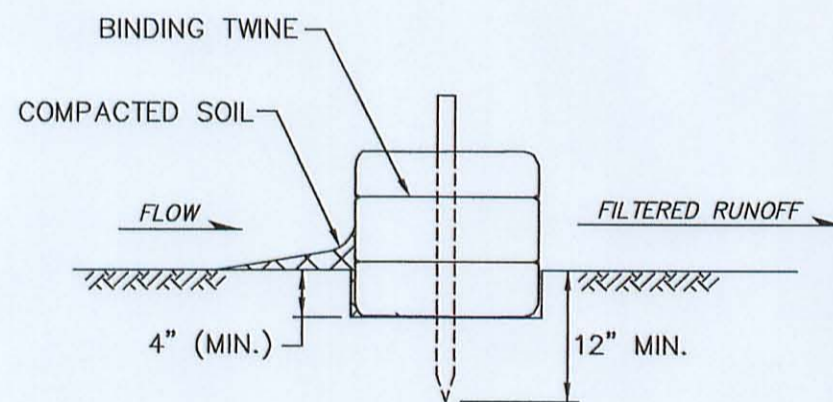
1. INSTALL STAKES AND EXCAVATE TRENCH IN ACCORDANCE TO THE DETAIL ABOVE.
2. TAKE ALL SLACK OUT OF FABRIC BEFORE STAPLING TO STAKES.
3. AT JOINING SECTIONS OF FILTER FABRIC, WRAP THE FABRIC MATERIAL AROUND STAKES AND STAPLE.
4. THE ENDS OF SILT FENCE SHOULD BE TAILED UPSLOPE SO PONDED WATER BEHIND THE FENCE WILL NOT FLOW AROUND ENDS.
5. SILT FENCE WILL BE REMOVED AFTER SEEDING HAS ACHIEVED ADEQUATE GROWTH TO PREVENT EROSION.



SECTION A
NOT TO SCALE



ANCHORING DETAIL
NOT TO SCALE



EMBEDDING DETAIL
NOT TO SCALE

TYPICAL STRAW BALE DIKE INSTALLATION DETAIL

NOTES:

1. BALES SHALL BE PLACED IN A ROW WITH ENDS TIGHTLY ABUTTING THE ADJACENT BALE.
2. EACH BALE SHALL BE EMBEDDED IN THE SOIL A MINIMUM OF 4".
3. BALES SHALL BE SECURELY ANCHORED IN PLACE BY WOODEN STAKES DRIVEN THROUGH THE BALES. THE FIRST STAKE IN EACH BALE SHALL BE ANGLED TOWARD PREVIOUSLY LAID BALE TO FORCE BALES TOGETHER.
4. BALES WILL BE REMOVED AFTER SEEDING HAS ACHIEVED ADEQUATE GROWTH TO PREVENT EROSION.

RECEIVED

SEP 23 2009

DIVISION OF MINERAL RESOURCES
CAMBRIDGE

I, THE UNDERSIGNED, HEREBY CERTIFY THAT THIS COMPLIES WITH THE REQUIREMENTS OF RULE 1501:13-9-04 OF THE OHIO ADMINISTRATIVE CODE.

JOHN M. PELTZ, P.E. #63829



DATE

ADDENDUM PART 3 (H) 4

STRAW BALE/ SILT FENCE
DETAILS

PERMIT NO. _____
(TEETER)

ROSEBUD MINING CO.

LOCATED IN
SECTION 6, T-14-N, R-6-W
SECTION 36, T-13-N, R-5-W
UNION TOWNSHIP
CARROLL COUNTY
OHIO

SCALE: 1" = 200'

CONTOUR INTERVAL = 20'

DATE PREPARED: JUNE 3, 2009

DATE REVISED:

PREPARED BY:
BAIR, GOODIE AND ASSOCIATES, INC.

153 NORTH BROADWAY
NEW PHILADELPHIA, OHIO 44663
PHONE (330) 343-3499
FAX (330) 343-9505 E-MAIL: jpeltz@bairgoodie.com

FILE ID: CTP112